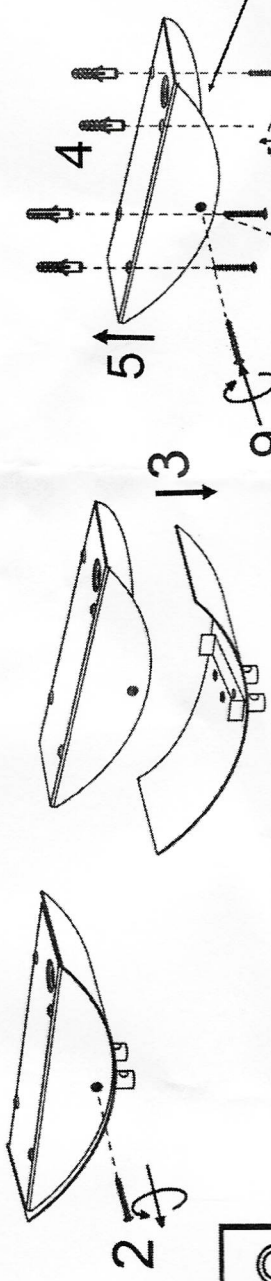
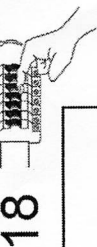




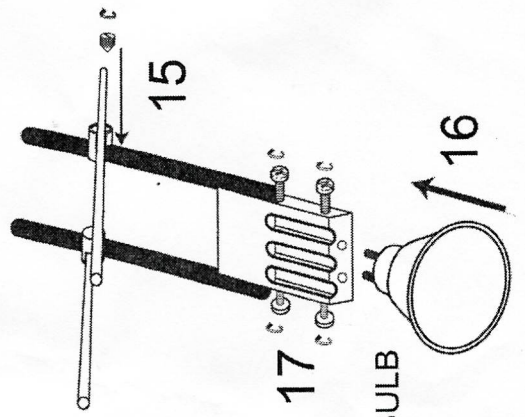
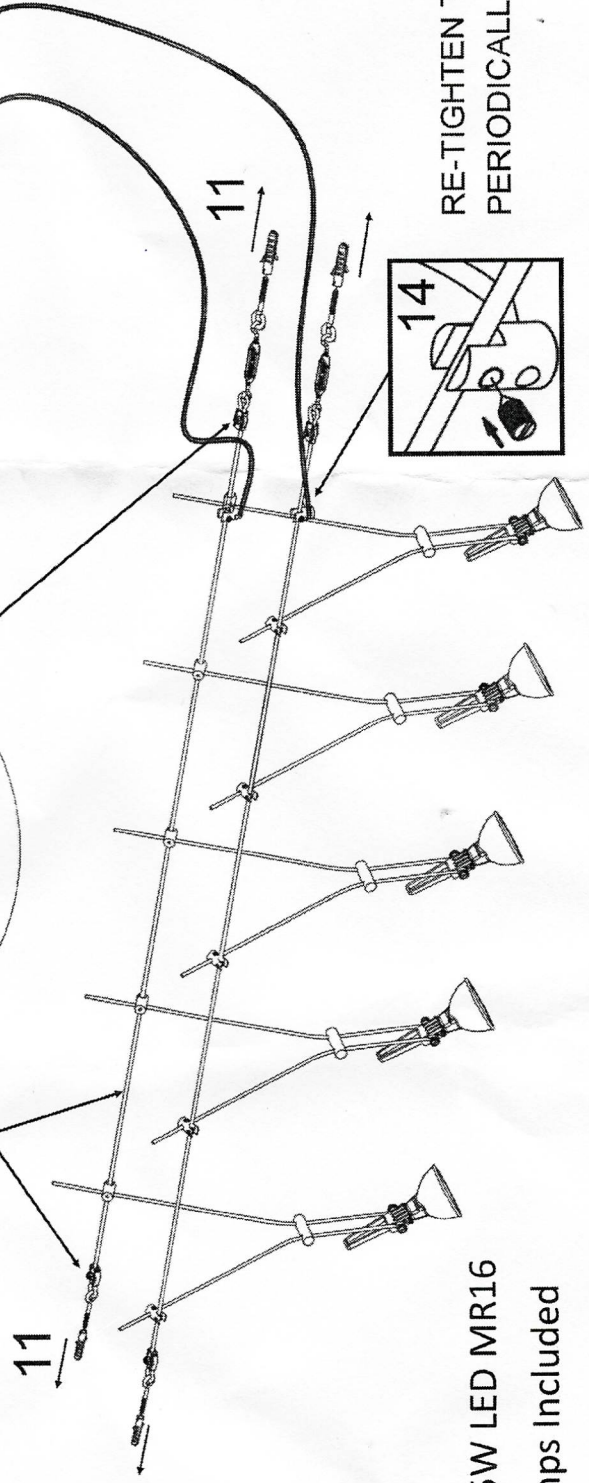
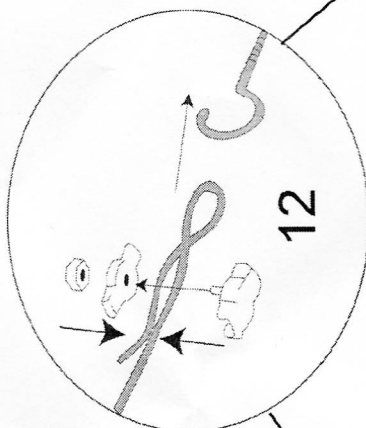
Model: SV-ROPE5-23
IMPORTANT:

- 1: Must be installed by a registered electrician
- 2: Ensure the power supply is off at the mains before installation



10

10M CABLE SHOULD BE CUT INTO 2
EQUAL LENGTHS.
E.G. — 2x5M



RE-TIGHTEN THE BULB
PERIODICALLY

5 x5W LED MR16
Lamps Included