

Batten Lights

Model: **SLU Series LED**
Installation Instructions:



Ceiling or Wall mount application Instructions:

IMPORTANT:

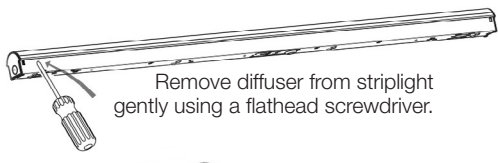
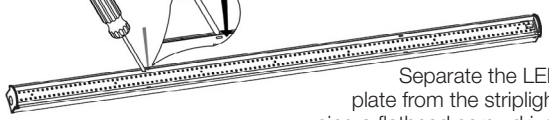
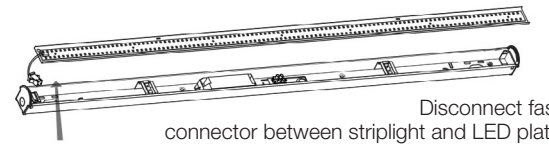
Install using a registered electrician. Isolate the electrical power supply.

IP20 when directly fixed onto wall or ceiling - **INDOOR USE ONLY!**

Choose the Mounting position and Cable position. Note : The cable entry is 90mm off centre.

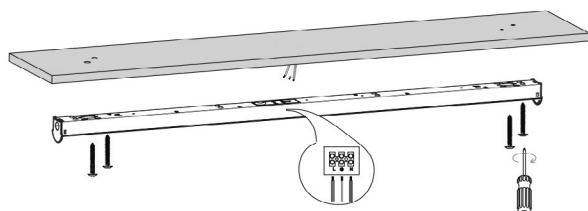
Direct fixing Method

STEP 1

- ①  Remove diffuser from striplight gently using a flathead screwdriver.
- ②  Separate the LED plate from the striplight using a flathead screwdriver
- ③  Disconnect fast connector between striplight and LED plate
- ④ Put LED plate in a safe and clean place

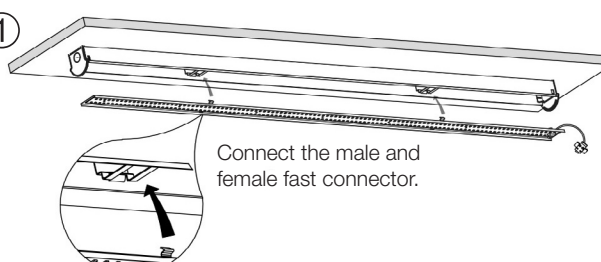
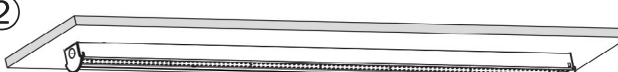
STEP 2

Pass supply cable through grommet hole then mount strip light to ceiling using suitable screws.



Connect Phase wire to L, Connect Earth wire to \perp , connect Neutral wire to N

STEP 3

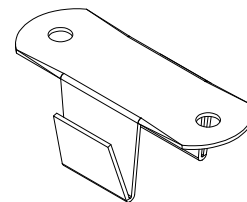
- ①  Connect the male and female fast connector.
- ② 

To reassemble the LED plate into the striplight

- Firstly sit the ends of the LED plate under the rib on the plastic end caps
- Secondly snap the LED plate securely into the 4 clip locations.
- Refit the diffuser

Quick Clip Method

Purchase accessory bag
MODEL: SLU- CLIPS



To fasten clips in position:

MODEL: SLU40

The closest clip is fixed in place about 440mm from the cable position.

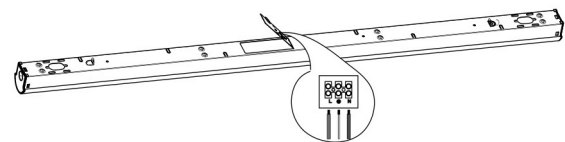
The second clip is mounted at 1067mm from the first clip, centre to centre.

MODEL: SLU50

The closest clip is fixed in place about 590mm from the cable position.

The second clip is positioned at 1367mm from the first clip, centre to centre.

Important: Double check the centre to centre measurement of the mounting holes before fixing clips.



Swing up the Terminal Block Plate. As shown above.

Pass the supply cable through the grommet hole.

- Connect the Phase wire to the L Terminal
- Connect the Earth wire to the \perp Terminal
- Connect the Neutral wire to the N Terminal

Push the Terminal plate back down level and lift the lighting fixture up to the 2 mounting clips. Snap carefully into place.

NOTE: If wishing to remove the LED batten refer to Step 1, to access the 2 clips or the fixing screws

Batten Lights

Model: **SLU Series LED**
Installation Instructions:

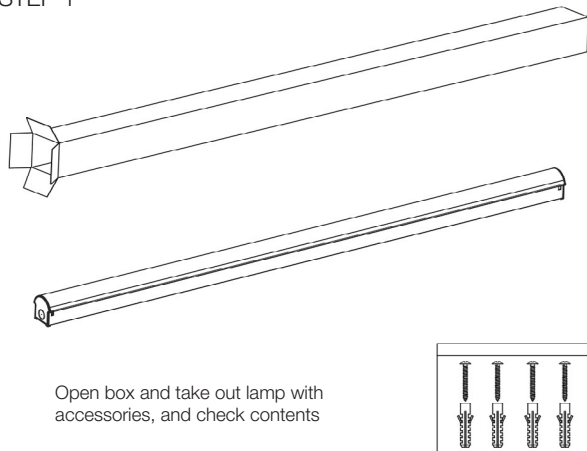


Suspension application instructions:

IMPORTANT:

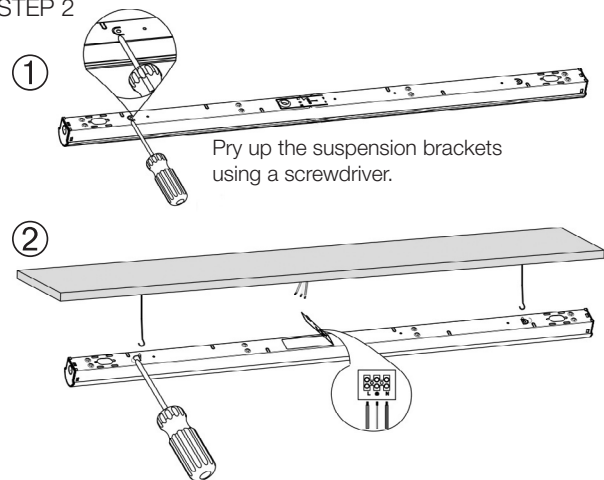
Install using a registered electrician. Isolate the electrical power supply.
INDOOR USE ONLY!

STEP 1



Open box and take out lamp with accessories, and check contents

STEP 2



- Swing up terminal block plate, Pass supply cable through grommet hole. Connect Phase wire to L, Connect Earth wire to \perp , connect Neutral wire to N. Push down terminal plate.
- Suspend the light fixture from 2 chains or wires, attaching to the suspension brackets.

STEP 3

