

Model: **SR**

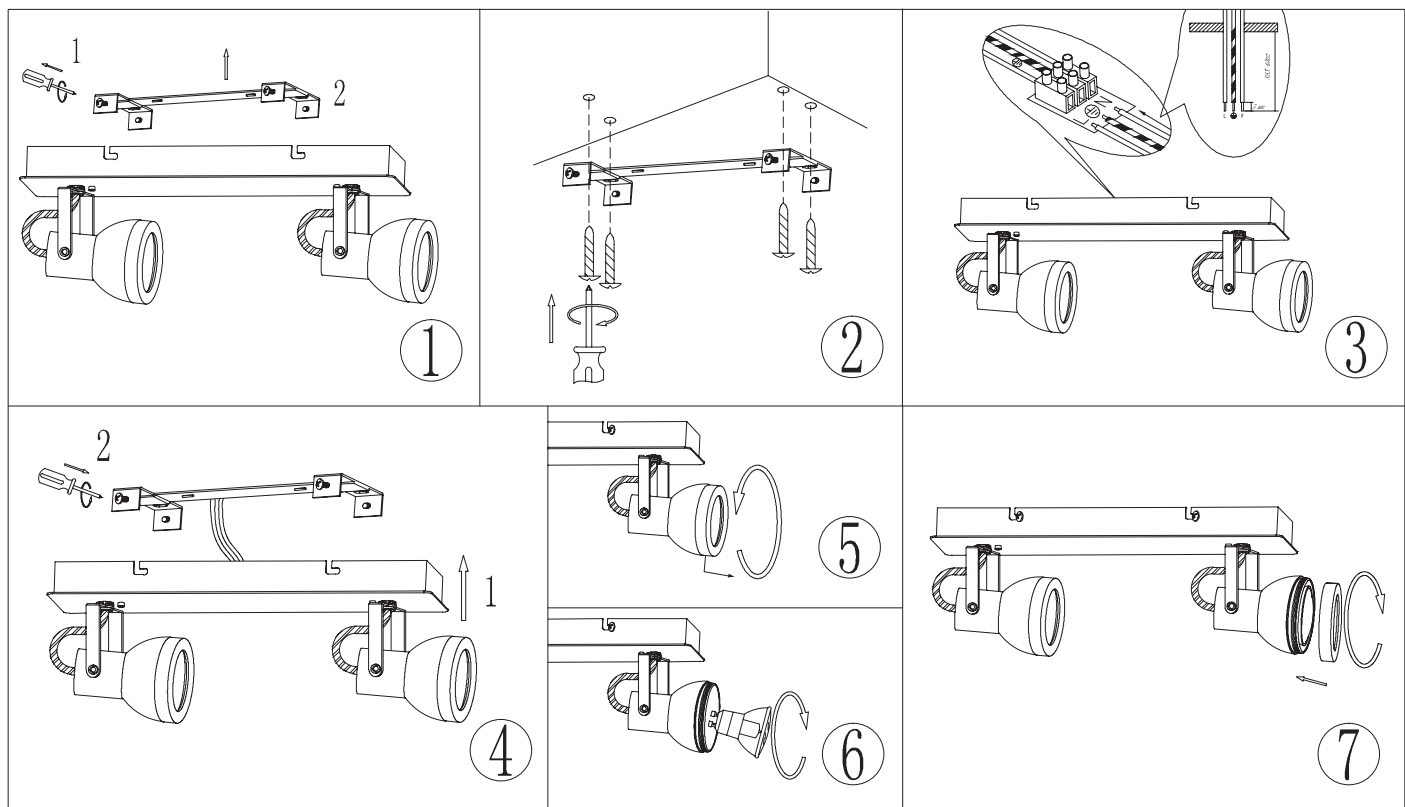
Reagan GU10 Spotlights

Installation Instructions



IMPORTANT: Installation by a Registered Electrician is recommended. Isolate the power supply.

1. Loosen the screws on the side of the backplate and remove mounting bracket.
2. Fix mounting bracket in a suitable locations using appropriate fixings to your wall or ceiling.
3. Connect the supply cable
Phase to **L**
Earth to \perp
Neutral to **N**
4. Re-assemble Spotlight back onto the mounting bracket
5. Turn left to remove front trim ring from spotlight head
6. Fit GU10 LED lamps by turning 1/4 turn. 10 Watts Max per lamp holder.
7. Turn trim ring right to put it back on.



NOTES:

1. The symbol $\left(\begin{array}{c} 0.5m \\ \text{MINIMUM} \end{array} \right)$ indicates that lamp head must be at least '0.5M' from the lighted surface.