

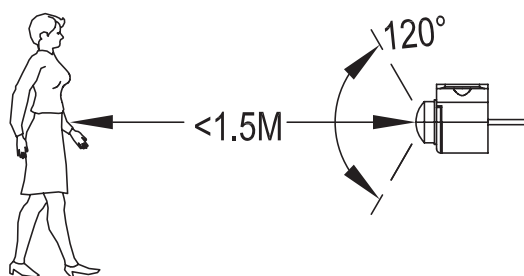
Model: SSW-PIR Mini PIR Sensor Installation Instructions



Important: Installation should be undertaken by a registered electrician.

- Supply 230-240V 50Hz
- Maximum load 250W

Function: When a person is detected within the 1.5metre range of the PIR sensor the connected item (e.g light) will switch 'on'. After 45 seconds the light will switch off automatically. Functions under any light level.

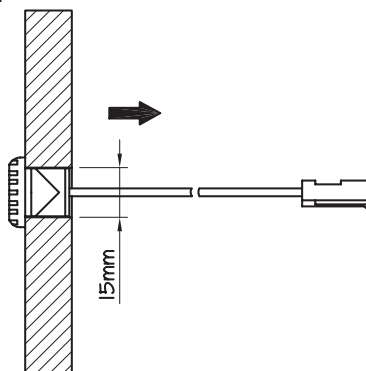


Alternative methods to mount sensor

Note: The sensor must be secured in a fixed position and kept clean

Recessed Installation

Remove surface mount bracket drill a 15mm diameter hole at desired position and mount the detector as shown in Fig.2 and plug into the switch.



Surface Installation

Drill hole 10mm diameter. Pass plug and cable through hole. Fix sensor in place using screws provided. Ensure sensor is kept at least 10mm away from edge of cupboard. Plug into switch.

