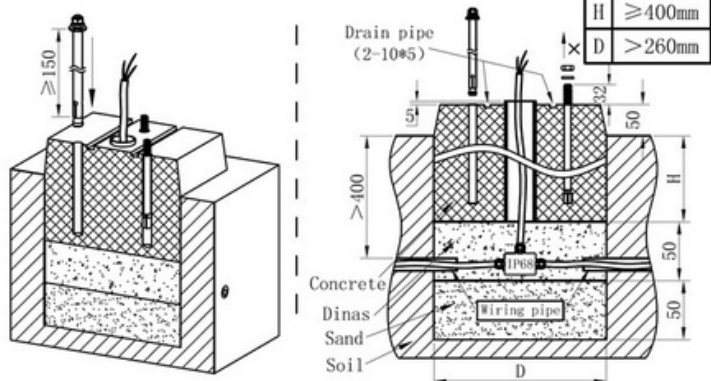
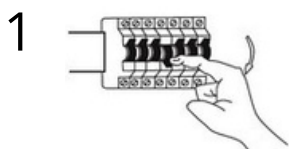


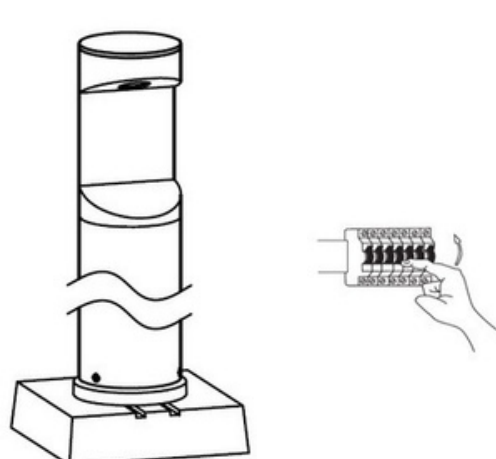
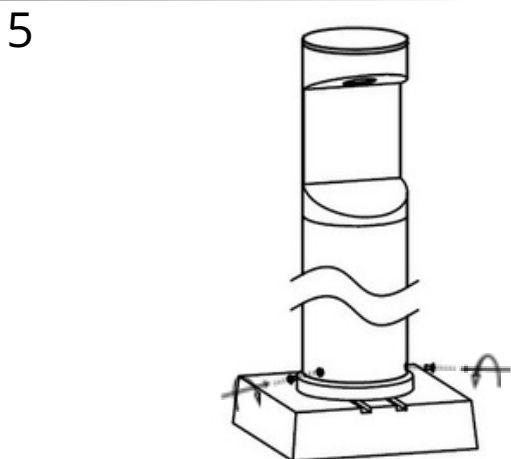
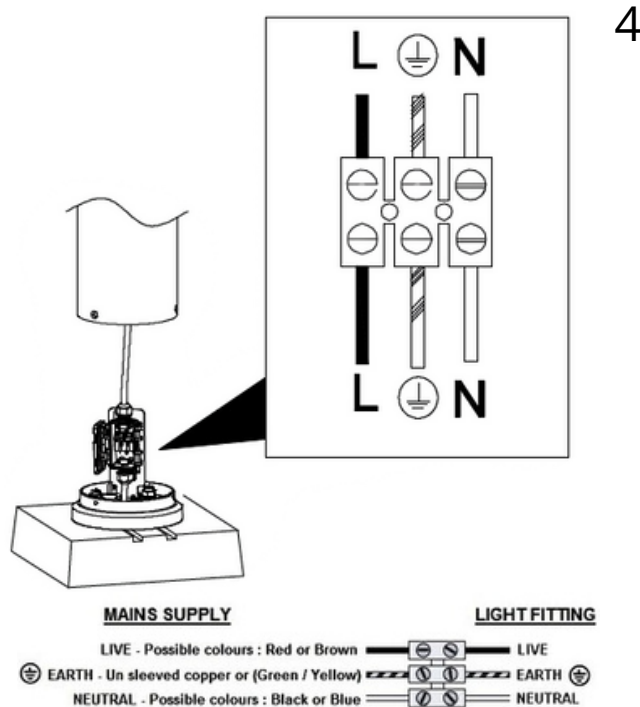
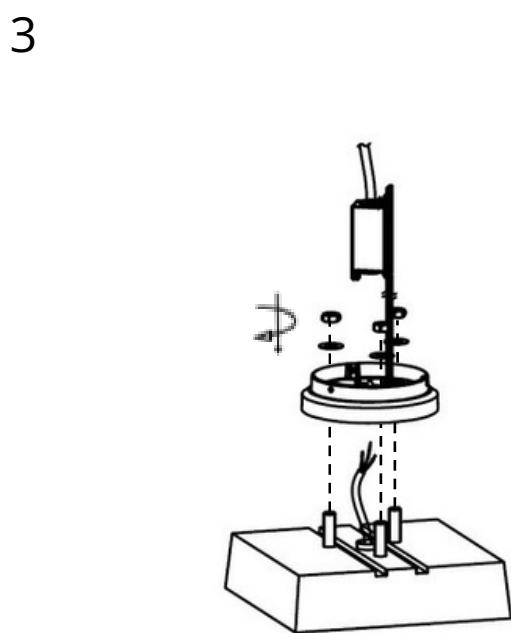
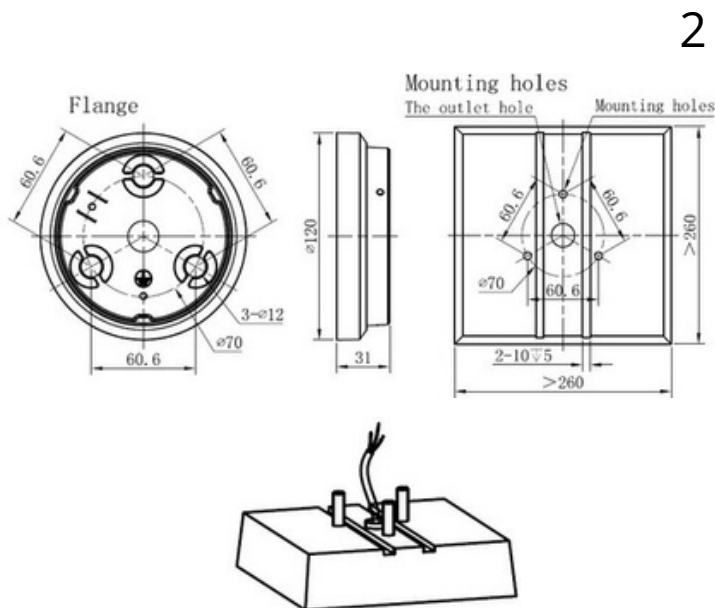
Model: LH7950-CC GEO BOLLARD LIGHT

Installation Instructions

Important: Isolate power supply. Installation by a registered electrician required.



CONCRETE BASE NOT SUPPLIED



SAFETY INFORMATION: (Please retain for future reference)

- Always turn off the mains supply before commencing the installation of this fitting.
- This is a Class I product and requires an Earth connection – 230 (240) Volts – 50Hz AC.
- This product must be installed in accordance with the National Building Regulations.
- Do not cover the light source or lamp shade.
- Do not modify or alter any product before or after installation. This will invalidate your warranty and may render the product un-safe.

POSITION

- This fitting is suitable for installation Outdoor locations.
- This fitting is suitable for fixing onto a flat, solid surface.
- This fitting should not be installed in areas where flooding may occur, we recommend fitting installation in areas with adequate drainage.
- If you require the fitting to be installed within a soft verge or flower bed , we recommend you use a firm base such as flag stone or make a concrete foundation.
- Ensure sufficient access to the fitting to enable safe maintenance.

LED INFORMATION:

- This fitting is not suitable for dimming.
- The LED lamps are not replaceable, when the lamps reach the end of their life the whole luminaire shall be replaced.

AFTERCARE AND MAINTENANCE:

- Always disconnect power supply when servicing or cleaning.
- Clean only with a dry or slightly damp cloth.
- Do Not use any abrasive cloths or cleaners as this may damage the product.