

Use and maintenance instructions

400mm 15W LED Pole Mount Globe - FLED6003

Outdoor luminaire suitable for installation on Ø60mm pole/bracket
 TECHNICAL DETAILS: refer to the product label



Insulation Class II

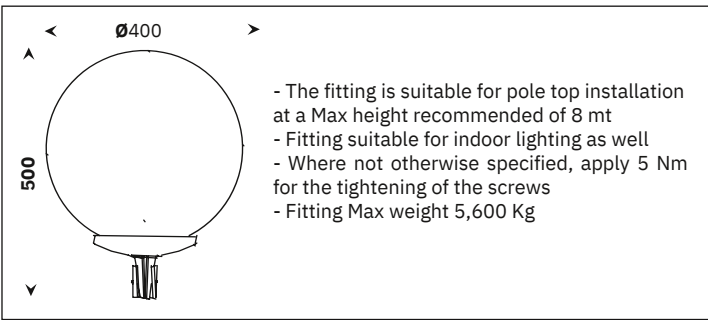
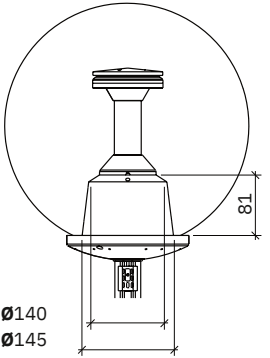
IP65 Protection degree against dust ingress, solid particles, moisture

Caution, risk of electrical shock. The lighting source of this luminaire must be replaced by the Manufacturer only

This product must not be disposed as a normal household waste

- WARNINGS:**
- THE SAFETY OF THIS PRODUCT IS GUARANTEED ONLY WITH THE RESPECT OF THE EXISTING RULES FOR THE ELECTRICAL SYSTEMS AND WITH THE APPROPRIATE USE OF THESE INSTALLATION INSTRUCTIONS, THEREFORE IT IS NECESSARY TO KEEP THEM.
 - THE IMPROPER USE OF THIS PRODUCT IS FORBIDDEN; ANY TAMPERING WITH THE PRODUCT OR MODIFICATION OF THE PRODUCT THAT IS NOT AUTHORIZED BY MARECO LUCE CAN CAUSE DAMAGE TO PEOPLE, ANIMALS OR THINGS AND WILL VOID ANY WARRANTY OR LIABILITY.
 - SWITCH OFF THE ELECTRICITY BEFORE CONDUCTING ANY KIND OF MAINTENANCE.
 - THE PRODUCT MUST BE INSTALLED IN ACCORDANCE WITH BEST PRACTICE.
 - THE LIGHTING SOURCE OF THIS LUMINAIRE MUST BE REPLACED BY THE MANUFACTURER ONLY.
 - DAMAGED COMPONENTS MUST BE REPLACED WITH MARECO LUCE ORIGINAL SPARE PARTS.

- GENERAL MAINTENANCE RECOMMENDATIONS:**
- CLEAN THE LUMINAIRE PERIODICALLY IN ORDER TO REMOVE DIRT DEPOSITS ON THE DIFFUSER AND IN THE DRAINAGE HOLES OF THE BASE (LOCATE THEM BY USING THE INSTALLATION INSTRUCTIONS).
 - CHECK THE TIGHTNESS OF THE SCREWS SECURING THE LUMINAIRE TO THE POLE.
 - CHECK THE INTEGRITY OF THE DIFFUSER AND REPLACE IT IN CASE OF DAMAGE, BY USING ONLY AN ORIGINAL MARECO LUCE DIFFUSER.
 - DO NOT USE HARSH DETERGENTS TO CLEAN THE DIFFUSER.
 - CHECK THE PLASTIC CASINGS CAREFULLY IN ORDER TO IDENTIFY ANY POSSIBLE INSULATION DAMAGE.



INSTALLATION INSTRUCTIONS:

1. Remove the diffuser (1), by loosening the three blocking screws (2) placed on the bottom of the base (3), and turning it of about 60°.
2. Loosen the fixing screws (4) and remove the wiring compartment (5) to have access to the components holding plate (6).
3. Loosen the fixing screws (7) of the components holding plate (6), and then remove the plate by making it turning anti-clockwise.
4. Insert the supply cable in the hole placed in the fixing part (8) of the base (3);
 CAUTION: use only a flexible double insulation sheath (type HAR). The outer cable diameter must be less than 13mm and the thickness of the inner electrical wires must range between 1 and 2.5mmq.
5. Insert the fixing part (8) paying attention to position the gasket (9) correctly.
6. Tighten the screws (10) of the expanders equally to ensure the fixing of the base (3) on the pole.
7. Connect the connectors to the terminal block, and fix the cable into the cord-block (11).
8. Position the components holding plate (6) on the base (3) paying attention that the shaping of the external plate profile matches the notch of the base.
9. Turn the components holding plate (6) clock-wise up to the correct positioning of the fixing holes, and then tighten the screws (7).
10. Connect the connectors of the wiring compartment (5) to the terminal block.
11. Fix the wiring compartment (5) paying attention to the notch of the base (3).
12. Tighten the screws (4).
13. Insert the diffuser (1), turn it about 60° and tighten the three screws (2) placed on the bottom of the base (3) (by applying 1Nm).

