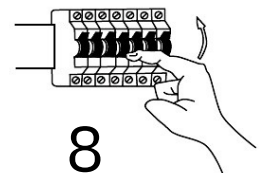
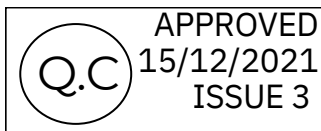
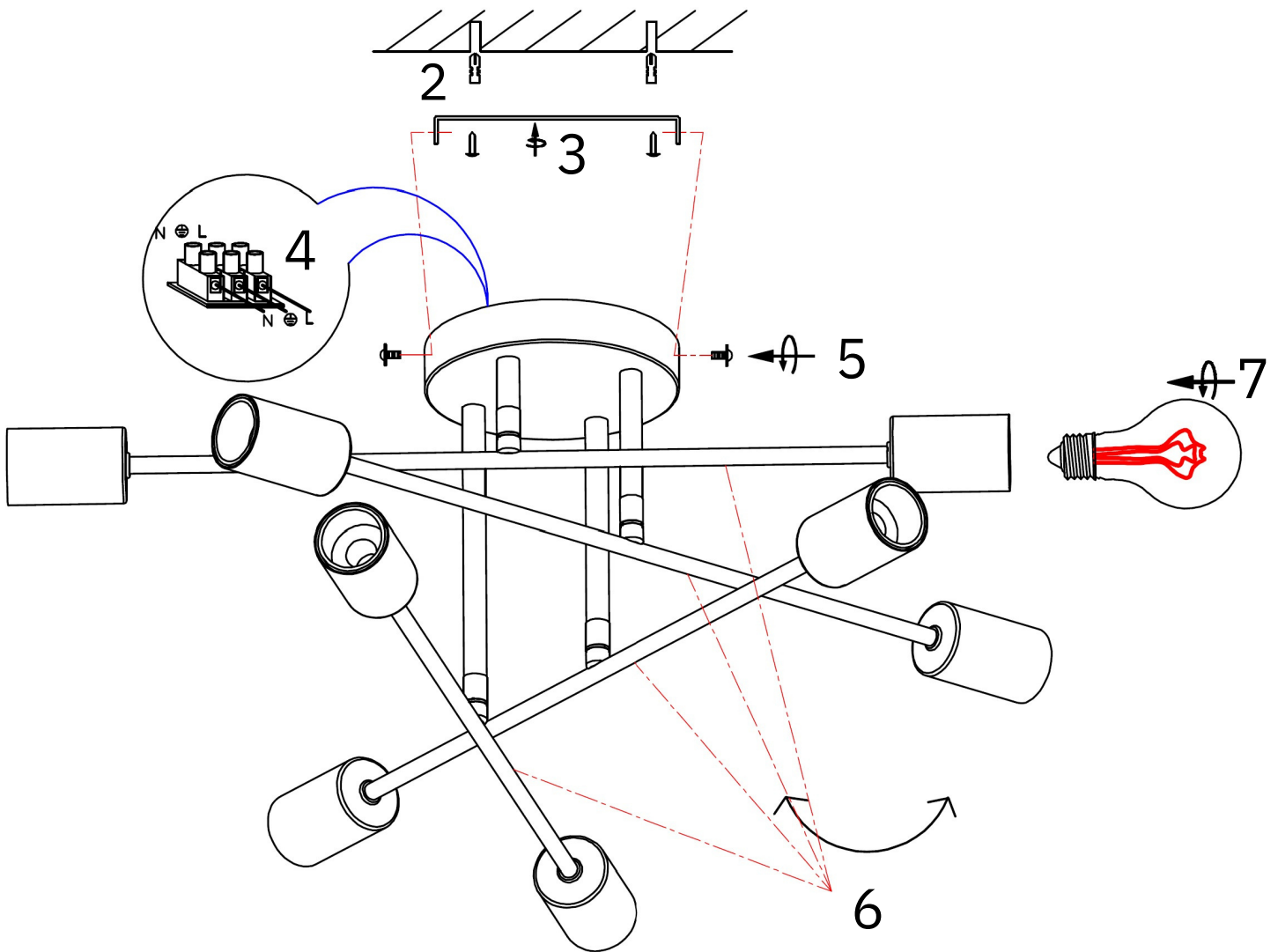
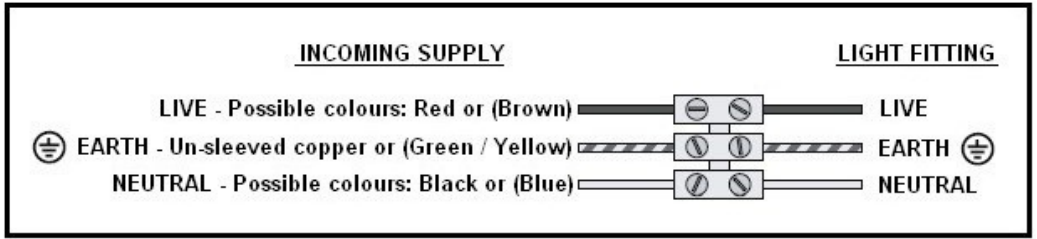
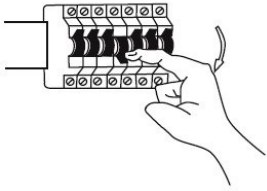


1



8

## SAFETY INFORMATION: (Please retain for future reference)

- Always turn off the mains supply before commencing the installation of this fitting .
- This is a Class 1 product and requires a permanent Earth connection - 230 (240) Volts-50Hz .
- This product must be installed in accordance with the national building and wiring regulations, if in doubt consult a qualified electrician.
- We do not recommend any modifications of the fitting as this may invalidate the warranty and render the fitting unsafe .
- This fitting is suitable for installation in Indoor locations only .
- Do not mount the fitting in a damp atmosphere.
- Allow the bulbs to cool before replacing them
- Ensure sufficient access to the fitting to enable safe maintenance.

## LAMP INFORMATION:

- We recommend using LED lamps only
- This fitting is suitable for dimming , however the LED lamps must be a “dimmable “ version
- Do not exceed the maximum rated wattage stated on the lamp holders.

## AFTERCARE AND MAINTENANCE:

- Always disconnect power supply when servicing or cleaning.
- Clean only with a dry or slightly damp cloth.
- Do not use any abrasive cloths or cleaners as this may damage the product