

die cut

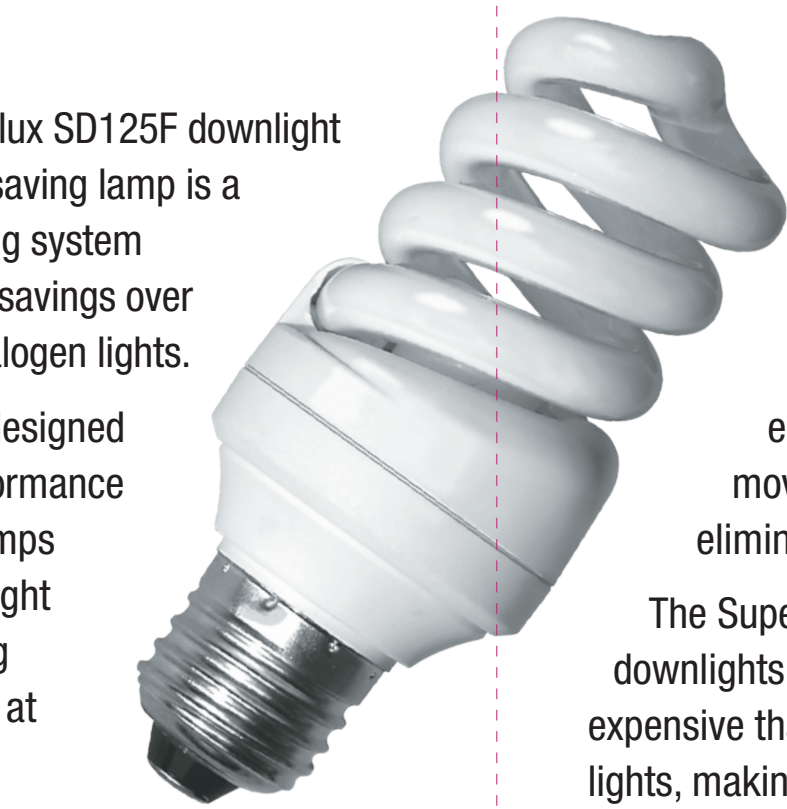
SD125F
with bulb



The Superlux SD125F downlight with energy saving lamp is a dedicated lighting system guaranteed to achieve significant savings over conventional incandescent and halogen lights.

The reflector has been specially designed to extract maximum lighting performance from self ballasted fluorescent lamps (energy saving bulbs), providing light output and warm colour rendering similar to standard GLS bulbs but at a much lower cost.

Compare a house using 20 conventional downlights with one using 20 Superlux SD125F downlights over an 4 hour period per day.



At a 22 cent per kilowatt/hour power charge you will save over \$500 per year. As the price of electricity inevitably increases so do the savings!

The savings don't end at the cost of lighting either, the SD125F is sealed preventing air movement from the house into the ceiling, eliminating heat transfer inefficiencies.

The Superlux SD125F energy saving downlights are not significantly more expensive than conventional down lights, making the savings true savings, there is no huge pay back hurdle to overcome.



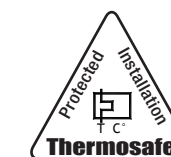
SD125F superlux

superlux

SD125 F
Energy
Efficient
Downlight



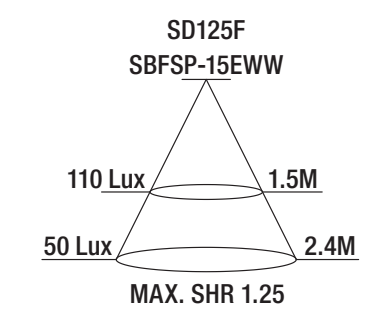
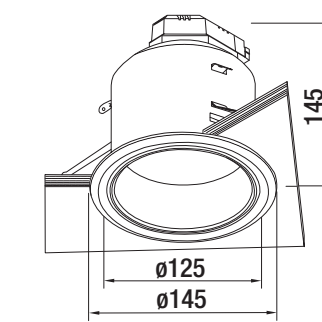
15W efficiency = 100W illuminance



Manufactured in China exclusively for

Gartner Superlux Ltd
AUCKLAND NEW ZEALAND.

Artcraft Superlux Pty Ltd
SYDNEY AUSTRALIA.



Technical

BASIC INSTALLATION INSTRUCTIONS

Isolate the electrical supply 230-240V, 50Hz.

- Do not install SD125F on dimmer switch circuit.
- Minimum cavity depth 160mm.
- Ensure there is no less than 50mm ventilated space between the building insulation and the ceiling.
- Ventilation must not be smaller than 0.3m² per downlight.
- Cut a 120-125mm (5") diameter hole in ceiling. Keeping edge of hole 25mm away from any timber or obstructions.
- Connect power supply to connector block: Brown-(P), Green/White-(E), and Blue-(N). Clamp cable and snap cover shut.
- Insert the SD125F body into the ceiling hole and retain by inserting the three retention springs (A) through the slots from the inside of the downlight.
- Screw bulb in, be careful to hold body not spiral.
- Sit the ceiling ring onto the plastic reflector then lift into the downlight and turn 120° until locked onto the three bumps.

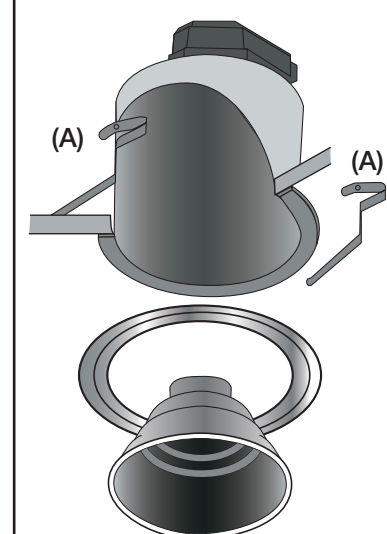
Installation

- Moisture transfer and thermal efficiency = CA.
- When using building insulation with zero rated flammability (eg Fibreglass - this unit will run safely with insulation abutted to it.
- 'F' can be mounted into timber ceiling.
- This product is 30min fire rated a 60min fire rated version is available SD125F-FIRE60.
- For Acoustic STC55 Ceilings space 1.6M minimum.
- For Acoustic STC57 and 58 space 2.5M minimum.

CAUTION: Recessed Luminaires and their associated equipment may pose a risk of fire or damage to property if not installed and maintained correctly. Refer to NZ Electrical Code of Practice 54 and AS/NZS 3000 before installation of Recessed luminaires and associated equipment. Replacement lamp SBFSP-15EWW Approval No: NSW22253

superlux

White Ring
SD125F-WH



© 2029

© Copyright Design 2007