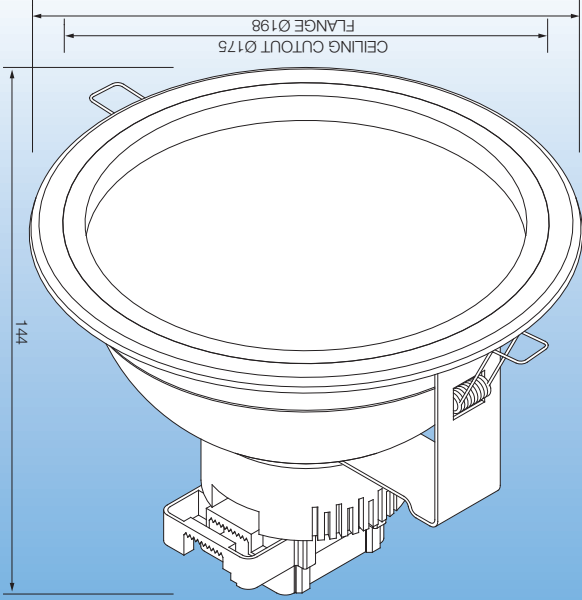
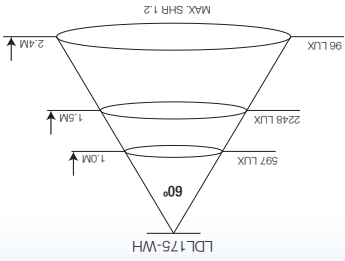




Manufactured in China



Refer to AS/NZS 3000 before installation of Recessed luminaires and associated equipment.

Caution: Recessed luminaires and their associated equipment may pose risk of fire damage to property if not installed and maintained correctly.

- Class CA80 - This Unit will run safely with non-flammable building insulation blankets or segments abutted to sides.
- Can be mounted into timber ceiling.
- Please note that this downlight must not be installed where ambient temperatures exceed 35 degrees.

Installation:

1. Minimum cavity depth required 180mmH.
2. When choosing downlight position ensure that MIC=25mm, SCB=20mm, HCB=20mm.
3. Cavity size must not be less than 0.2M².
4. Cut a 175mm diameter hole in the ceiling.
5. Connect power supply to connector block, Brown-(L) and Blue-(N).
6. Close the terminal block cover and clamp the supply cable.
7. Insert the LDL175 into the ceiling by holding back the 2 spring clips and slide into the ceiling.

Basic installation instructions:
Install using a registered electrician.
Isolate the electrical power supply.



Model:
LDL175

Energy Efficient Downlight

- Replaces 2x 18W CFL Downlight
- Forward travelling heat sinking
- Integral driver
- Large easy looping terminals
- Retro fits into holes 170-180mmØ



LDL175-WH



9 414219 122193

Colour: **WHITE**

Diffuser optimised LED

ENGINEERED FOR FIRE SAFETY AND YOUR PEACE OF MIND