

# Diffuser optimised LED



12W LED  
similar to 100W  
Incandescent

Model: **LDL125**  
Energy Efficient  
Downlight



### Basic installation instructions:

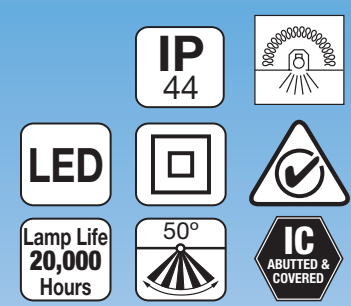
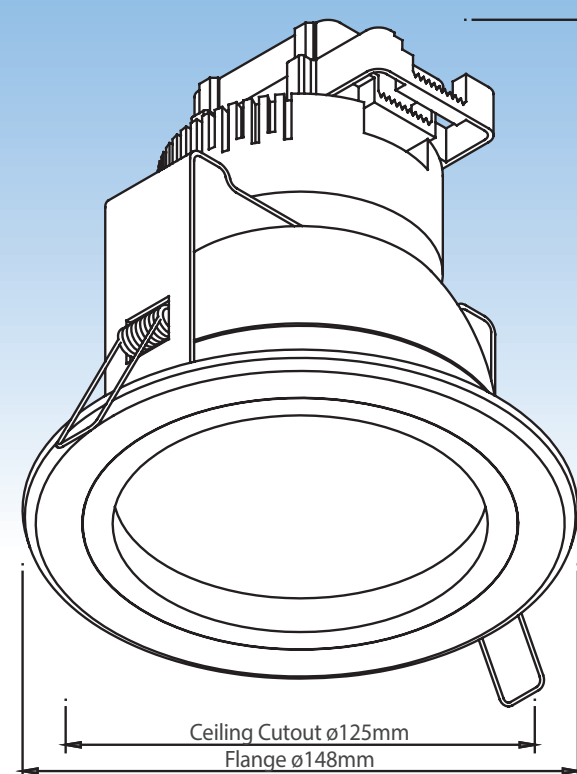
Install using a registered electrician. Isolate the electrical power supply.

1. Minimum cavity depth required 180mmH.
2. When choosing downlight position ensure that MIC=25mm, SCB=20mm, HCB=20mm.
3. Cavity size must not be less than 0.1m<sup>2</sup>
4. Cut a 125mm diameter hole in the ceiling.
5. Connect power supply to connector block, Brown-(L) and Blue-(N).
6. Close the terminal block cover and clamp the supply cable.
7. Insert the LDL125 into the ceiling by holding back the 2 spring clips and slide into the ceiling.
8. Dimmable with Clipsal and PDL electronic Dimmer switches.

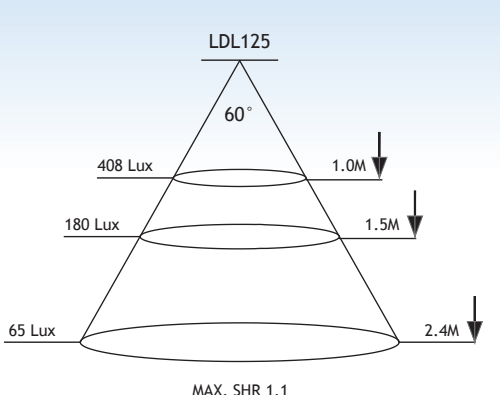
### Installation:

Class IC = Insulation contact. This luminaire can be abutted and covered with building insulation of Glass wool type. Loose fill insulation as defined in NZS4246 is not permitted to abut or cover the luminaire. For long life the downlight must not be installed where ambient temperatures exceed 35degrees.

**Caution:** Recessed Luminaires and their associated equipment may pose risk of fire damage to property if not installed and maintained correctly. Refer to AS/NZS 3000 before installation of Recessed luminaires and associated equipment.



- 12 Watt LED
- Lumens = 900
- Colour temp 3,000k
- CLASS IC. Can be abutted and covered with building Insulation
- Dimmable



Model: **LDL125**  
Energy Efficient  
Downlight



12W LED  
similar to 100W  
Incandescent



### Features

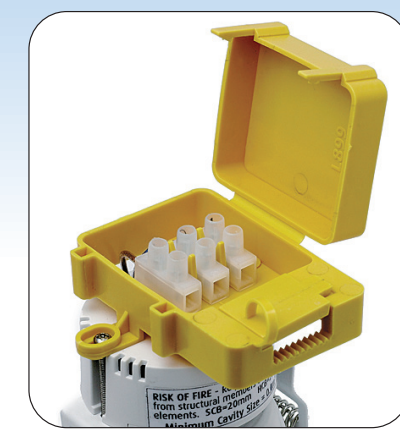
- Enclosed body retains buildings thermal envelope
- Diffuser designed to give uniform light spreads with no hot spots or demarcation lines in the light beam.
- Forward traveling heat sinking to dissipate heat below the ceiling to ensure optimum light output and life of LED light source.
- Integral driver for easy installation, no need to mix and match components at your own peril.
- Large easy looping terminal block for quick and easy installation.
- 12W LED similar to 100W Incandescent
- Diffuser Optimised LED
- Engineered for fire safety for your peace of mind
- Dimmable
- IP44 from below ceiling

**LDL125-WH**

9 414219 120106

Colour: **WHITE**

Manufactured in China



Easy looping terminal block

# Diffuser optimised LED

**Gartner Superlux Ltd**  
AUCKLAND NEW ZEALAND.

**Superlux Pty Ltd**  
SYDNEY AUSTRALIA.