

Installation Instructions:

Installation by a qualified Electrician is recommended.

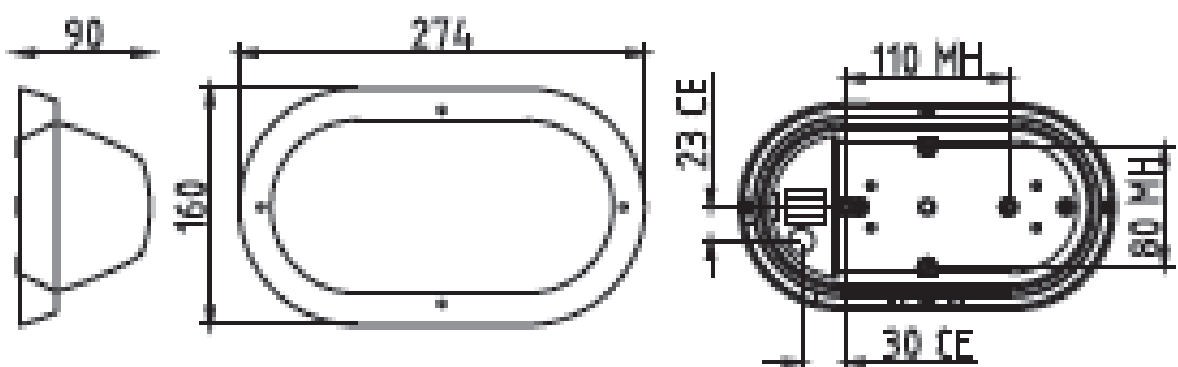
Isolate the electrical supply.

Wall or ceiling mount only.

If mounting vertically on a wall, the lamp socket should be at the bottom.

With the supply cable through the grommet hole, fix the back plate to the mounting surface using at least 2 screws.

Note: *The back plate has 4 screw hole locations.*



Note: *For installations that may be subject to sprayed water ensure that the cable entry is sealed.*

Important - Model 6003 ONLY:

Ensure that the small reflector L799 is attached to the eyelid side of the base reflector. Attach lens with one screw before attaching eyelid cover.

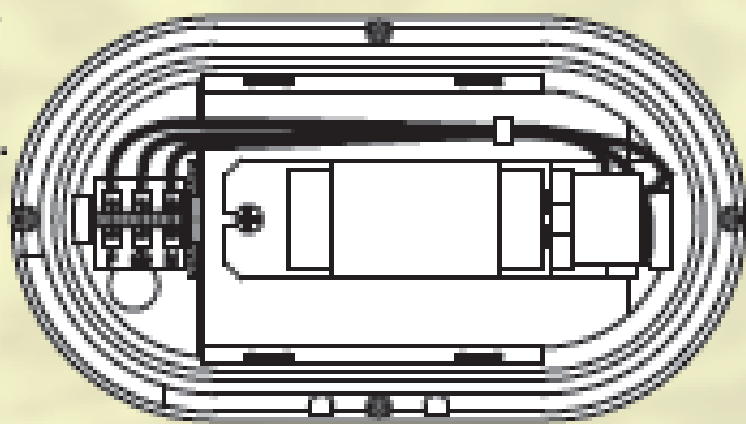
E27 Models:

Push the aluminium Reflector onto the 4 spigot pins. Slide the Edison screw lamp socket assembly into position. Strip back the outer supply cable sheath 40mm and the inner sheath's 12mm. Fit the rubber grommet over the cable and heat sleeving over the Phase and Neutral wires. Connect the Phase (live) wire to the P and the Neutral wire to N. Do not use a lamp in excess of the maximum rating marked on the wattage label. Attach the diffuser and outer body with the 4 stainless steel screws provided.

Fluorescent Models:

Push the aluminium Reflector onto the 4 spigot pins. Slide in terminal block then fasten ballast with the two screws provided. Fit the rubber grommet over the cable and heat sleeving over the Phase and Neutral wires. Attach a Yellow/Green Earth wire to earth terminal. Please see diagram for ballast/wiring layout.

Attach the diffuser and outer body with the 4 stainless steel screws provided.



LED Models:

Fit the rubber grommet over the cable and heat sleeving over the phase and Neutral wires. Connect the Phase wire to the P and the Neutral wire to the N.

Warning: Electrostatic sensitive components. DO NOT touch the LED module